

DuoExpert

The tolerance-free hub centering system

Product description

DuoExpert is the tolerance-free hub centering system for steel and alloy wheels. Easy to use and flexible: DuoExpert is used instead of the conventional centering sleeves and cones.

Many vehicle manufacturers recommend the cylindrical wheel centering on the balancing machine since this perfectly simulates the centering on the vehicle's wheel hub.

DuoExpert's full effect is experienced when it is completely emerged in the centering flange under pressure. The rim is centered in its middle and lies completely in the flange.

Product features

- The DuoExpert System is mostly used instead of the conventional cones/centering sleeves
- Improves the result of the wheel balancing machine
- Is approved by leading vehicle manufacturers
- More smooth-running due to tolerance-free centering
- Simple and flexible handling of the DuoExpert centering sleeve
- Clamping range from 54 - 94 mm
- Standard set covers up to 95 % of all vehicles
- Perfectly simulates the placement on the hub



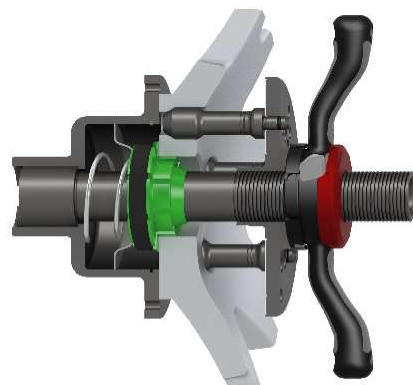
Clamping range
54 - 62 mm



Clamping range
62 - 70 mm



Clamping range
70 - 78 mm



Use of the DuoExpert
(in combination with type clamping plates
and SoftGrip)



Product overview

DuoExpert-Set
3 sleeves (54 - 78 mm clamping range),
1 Box, 1 Wallboard

Part no. 165 400 005



Optional accessories

DuoExpert
Clamping range 78 - 86 mm

Part no. 165 400 006



DuoExpert
clamping range 86 - 94 mm

Part no. 165 400 004

