

The new HAWEKA UNI LUG - „Series 405“ Usable range from 95-215 mm

The UNI LUG „Series 400“, one of HAWEKA's best selling adaptors, has been modified. The new „Series 405“ has been modified in that way that only one type of centring ring is needed.



Uni Lug Base Plate

This new adaptor „Series 405“ is only available with 3 centring rings (Ø 60/58/65 mm). For all other accessories, please see our relevant product or price lists.



Internal Adaptor Ring
To suit the relevant wheel balancer



P/N: 405e009 001
Ø 58mm



P/N: 405e009 002
Ø 60mm



P/N: 405e009 004
Ø 65mm

Optional:

Set of fixcones: 040 100 001
Set of fixcones: 040 100 002



Nuts for Peugeot: 040 100 112



These centring rings are screwed onto the internal adaptor rings via a fine pitch thread.



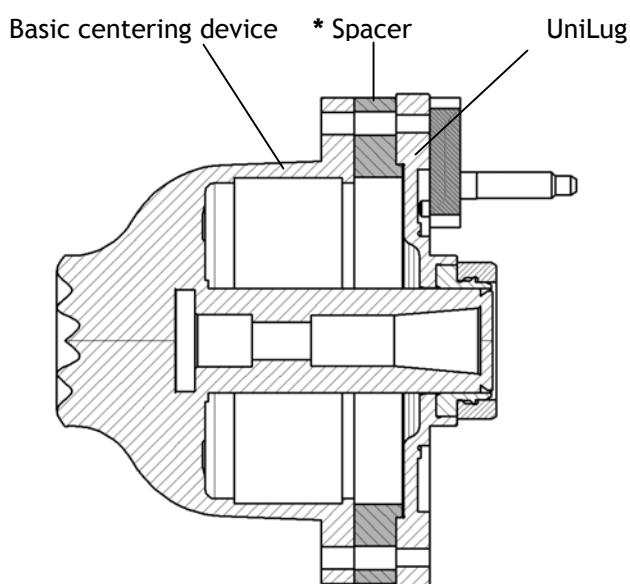
For the attachment of Peugeot rims it is necessary to use the special Peugeot nuts p/n 040 100 112 with the Uni Lug

Part List



Part Number	Description
Uni Lug	
405 280 108	Wheel Balancers with 28,56 mm shaft: Mondolfo, Balco, Snap On, US-market
405 360 108	Wheel Balancers with 36 mm shaft: Cemb, Ravaglioli
405 380 108	Wheel Balancers with Spacer with 38 mm shaft: Corghi, Faip, Sice, HPA *
405 400 108	Wheel Balancers with 40 mm shaft: Tip Top, Cemb, Ravaglioli, Mondolfo (old),US-market
New 405 401 108	Wheel Balancers with Spacer with 40 mm shaft, Corghi, Mondolfo, TECO, HPA new *
405 818 108	Wheel Balancers with conical shaft: BB, Sicam, Facom, Hofmann etc.
405 009 108	Wheel Balancers that need a clamping chuck, e.g. cylindrical shafts
Centering Rings:	
405e009 002	Centering Rings 60 mm
405e009 001	Centering Rings 58 mm
405e009 004	Centering Rings 65 mm
Further centering rings on demand:	
405e009 006	Centering Rings 56 mm
405e009 005	Centering Rings 55 mm
Nuts and Fixcones	
040 100 001	Set of fixcones (5 pieces) M10x1,25 mm (Haweka)
040 100 002	Set of fixcones (5 pieces) M10x1.5 mm (Corghi/Cemb)
040 100 112	Fastening nut M101,25 mm extra long, round head, new Peugeotts

* Spacer (part no. 405e008 004) necessary.
Included in 405 380 108 and 405 401 108.



HAWEKA AG

30938 Burgwedel ♦ Kokenhorststraße 4 ♦ Tel. +49/5139/8996-0
Fax: +49/5139/8996-222 ♦ www.haweka.com ♦ info@haweka.com

